



Model AC53985

Model AC53985

Length: 60" (1524mm)

Width: 34" (864mm)

Height: 25" (635mm)

Shipping Weight: 116 lbs. (53 Kg)

Water to Overflow: 90 gallons (341 Litres)

Materials: Manufactured from a one-piece acrylic sheet, reinforced with fibreglass.

The 60" x 34" drop-in Seamount™ bath includes a wide deck along one side to simplify faucet placement as well as lumbar supports at both ends of the bath.

Standard Features:

- ° Easy to clean high gloss surface
- ° Chip and mar resistant
- ° Moulded-in floor pattern
- * Centre drain
- * Ample deck space

Colours:

- ° Standard: White, Almond (Bone) or Biscuit.
- ° Optional: Kohler Colours

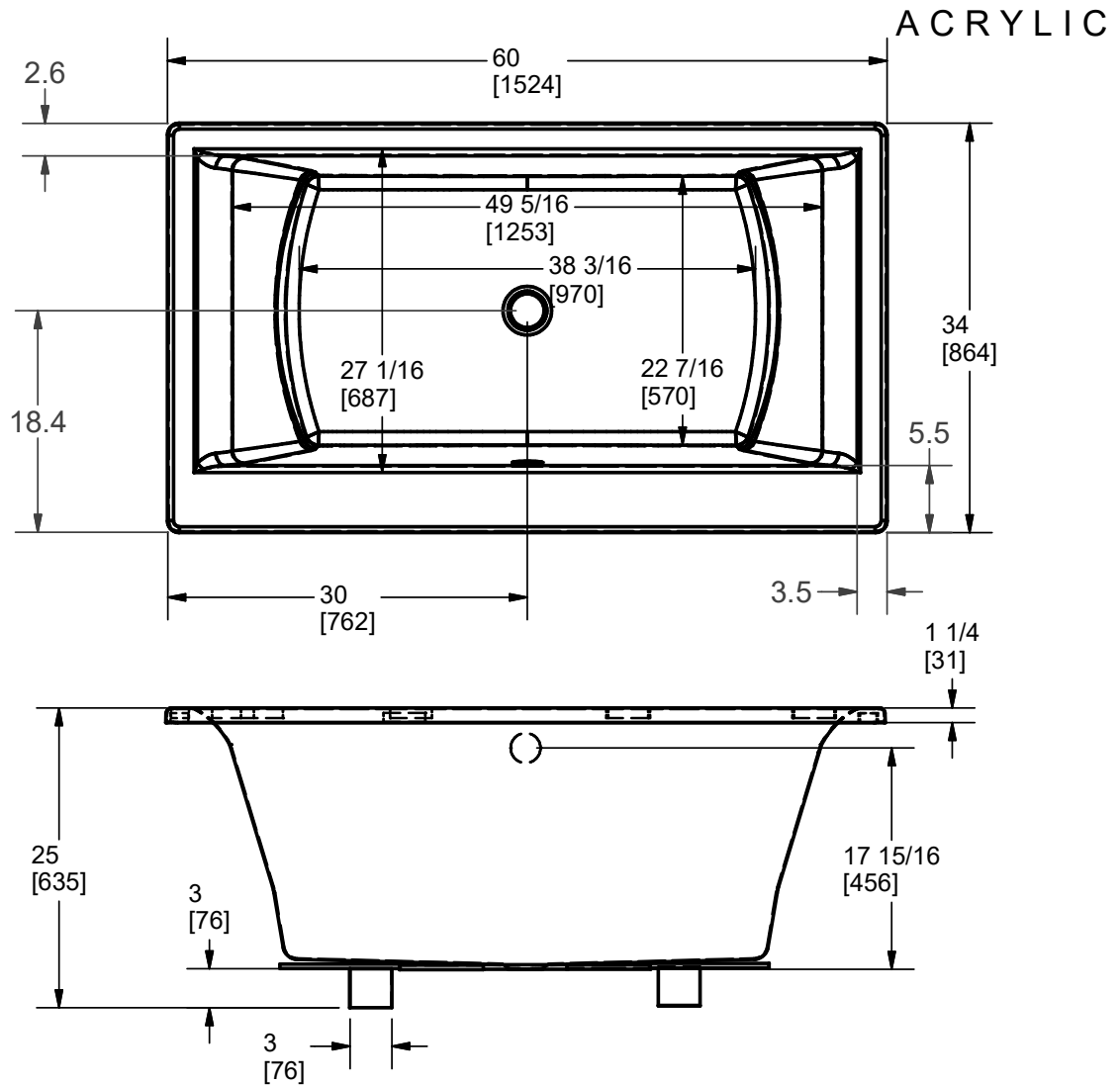
All products manufactured by Hytec are covered by a comprehensive five-year limited warranty from the date of sale to the original owner. See the Hytec Bathing Fixtures List Price Book for further details.

Hytec Plumbing Products

(Division of Kohler Canada Co.)
4150 Spallumcheen Dr, Armstrong BC V0E 1B6
Ph. (800) 871-8311 (250) 546-3196 Fax (250)
546-3170



SEAMOUNT™ DROP-IN BATH
Model Customer Spec AC53985



Measurement tolerances ± 1/4" (6.3mm)

All bathing fixtures comply with the applicable Canadian Standards.

EPA TSCA Title VI Compliant Product

For installation instructions, please refer to HYTEC.ca

This sheet approximately describes products and equipment manufactured or supplied by Hytec Plumbing Products. Because of ongoing efforts to improve both design and quality, products and equipment actually furnished may differ without prior notice.